



PRIORITY:	Normal
DATE:	June 20, 2005
TITLE:	RS485 Termination for AlphaEclipse RoadStar and AlphaEclipse 3600 Signs
ECO REFERENCE:	n/a
PRODUCT(S) AFFECTED:	AlphaEclipse RoadStar and AlphaEclipse 3600 signs
SUMMARY:	The purpose of this document is to explain how to terminate RS485 networks.

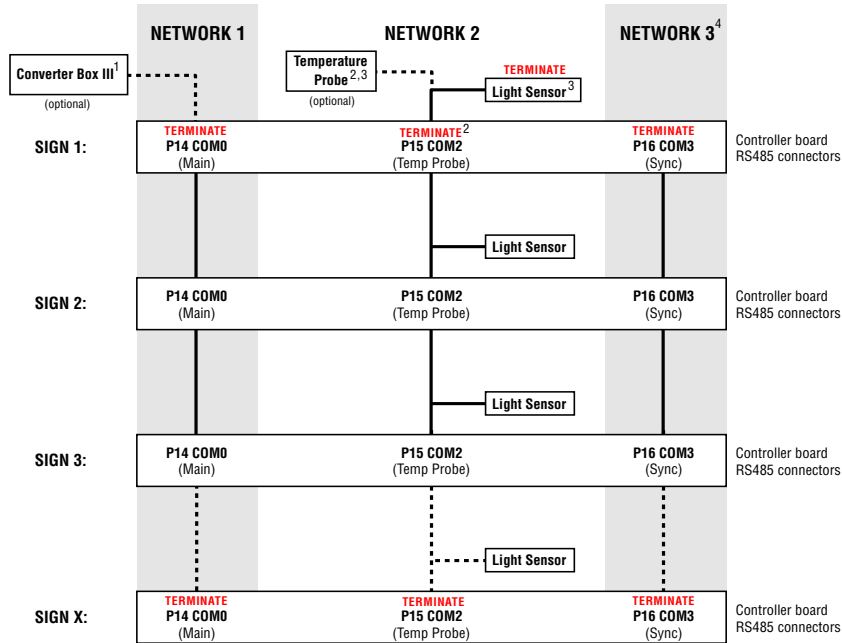
Related documentation

Part #	Title
9711-7502	AlphaEclipse RoadStar Service Manual
9711-5001	AlphaEclipse RoadStar Install Manual
9711-8009	AlphaEclipse 3600 Service Manual
9711-8028A	AlphaEclipse 3600 Install Manual

RS485 termination

Shown below are the RS485 termination diagrams for the AlphaEclipse RoadStar and the AlphaEclipse 3600 networks.

AlphaEclipse 3600 RS485 Termination



NOTES:

As a general rule, the first and last sign should be terminated in an RS485 network.

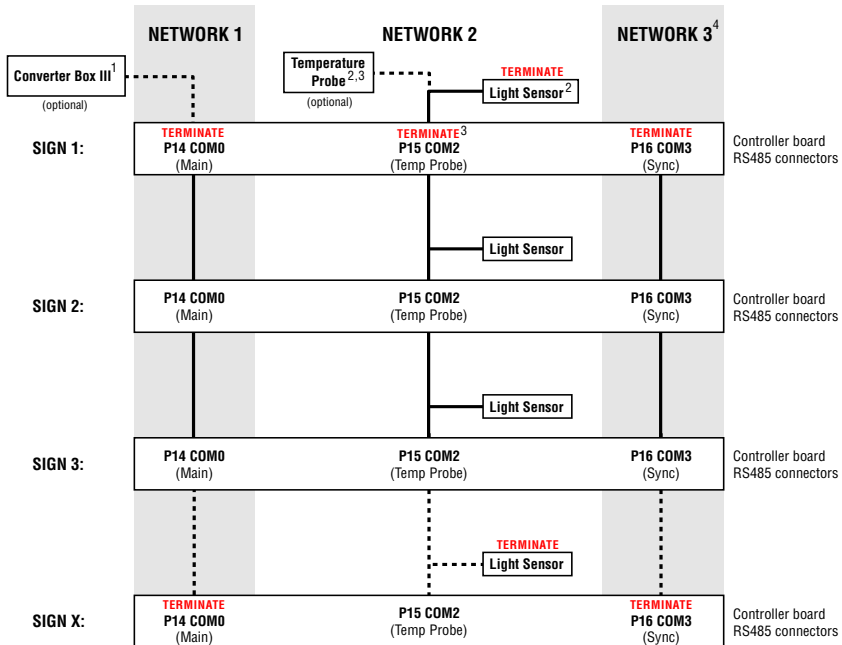
¹ If a Converter Box III is connected to P14 in Sign 1 and 2 or more signs are networked together, then (1) remove termination from P14 in Sign 1 and (2) set switch on back of Converter Box III to terminated.

² If a Temperature Probe is connected in a multiple sign network, then remove termination from P15 in Sign 1.

³ If a Temperature Probe is connected to just a single sign, then remove termination from the Light Sensor in Sign 1.

⁴ NETWORK 3 (RS485 sync) is only used when signs are set up as Master/Slave (1 Master sign plus 1 or more Slave signs).

AlphaEclipse RoadStar RS485 Termination



NOTES:

As a general rule, the first and last sign should be terminated in an RS485 network.

¹ If a Converter Box III is connected to P14 in Sign 1 and 2 or more signs are networked together, then (1) remove termination from P14 in Sign 1 and (2) set switch on back of Converter Box III to terminated.

² If a Temperature Probe is connected to a sign network of 2 or more signs, then remove termination from the Light Sensor in Sign 1.

³ If a Temperature Probe is connected to just a single sign, then remove termination from P15 in Sign 1.

⁴ NETWORK 3 (RS485 sync) is only used when signs are set up as Master/Slave (1 Master sign plus 1 or more Slave signs).