

Speaker volume control

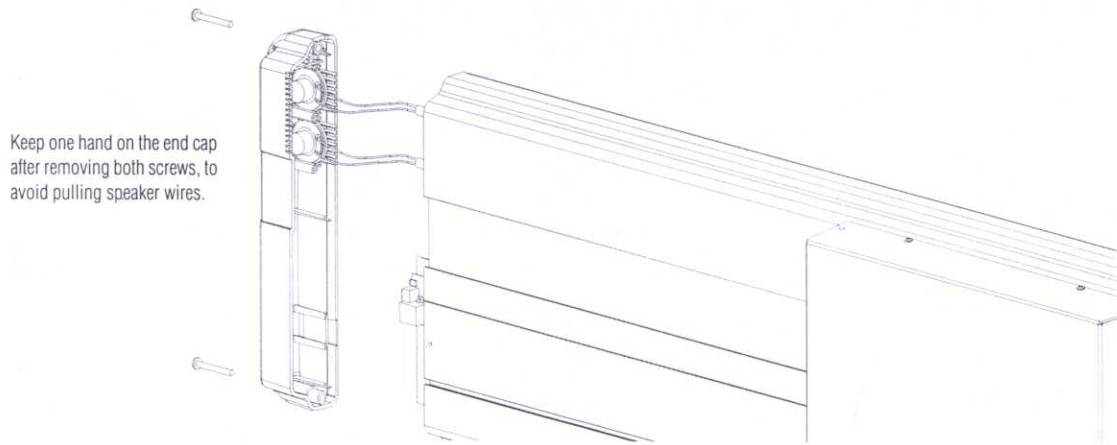
The AlphaPremiere™ 9000 sign has two internally-mounted speakers in the right end cap. Audio volume can be raised or lowered:

- temporarily by using the IR remote control (the “U” key raises volume, the “D” key lowers it), or
- permanently by changing an internal master volume dial (see below).

NOTE: Also, the duration and number of repetitions of audio tones can be set using AlphaNET plus™ software. Refer to the “Site Manager” section of the AlphaNET plus™ for Windows® User Manual.

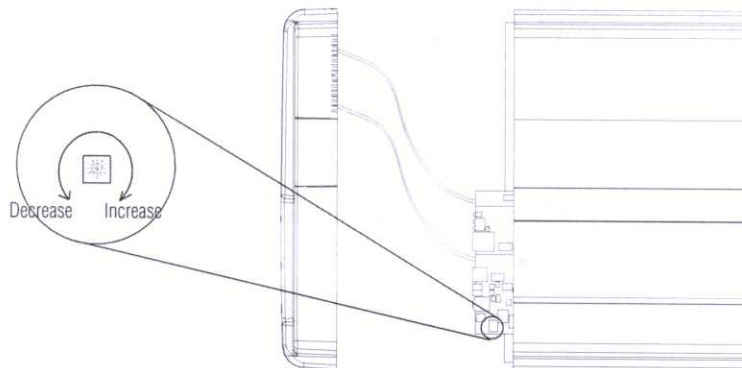
To change the default volume setting, follow these steps:

1. Remove power from the sign.
2. If the sign is mounted, remove it and place the sign face down on a flat surface before removing the end cap.
3. Remove the two (2) screws from the end cap located on the left side of the face down sign:



4. To change the default factory volume setting, use a screwdriver to turn the dial clockwise to raise the volume or counterclockwise to lower the volume. (It is recommended that you use a plastic screwdriver, not a steel screwdriver, to make the adjustment.) The default factory setting is maximum.

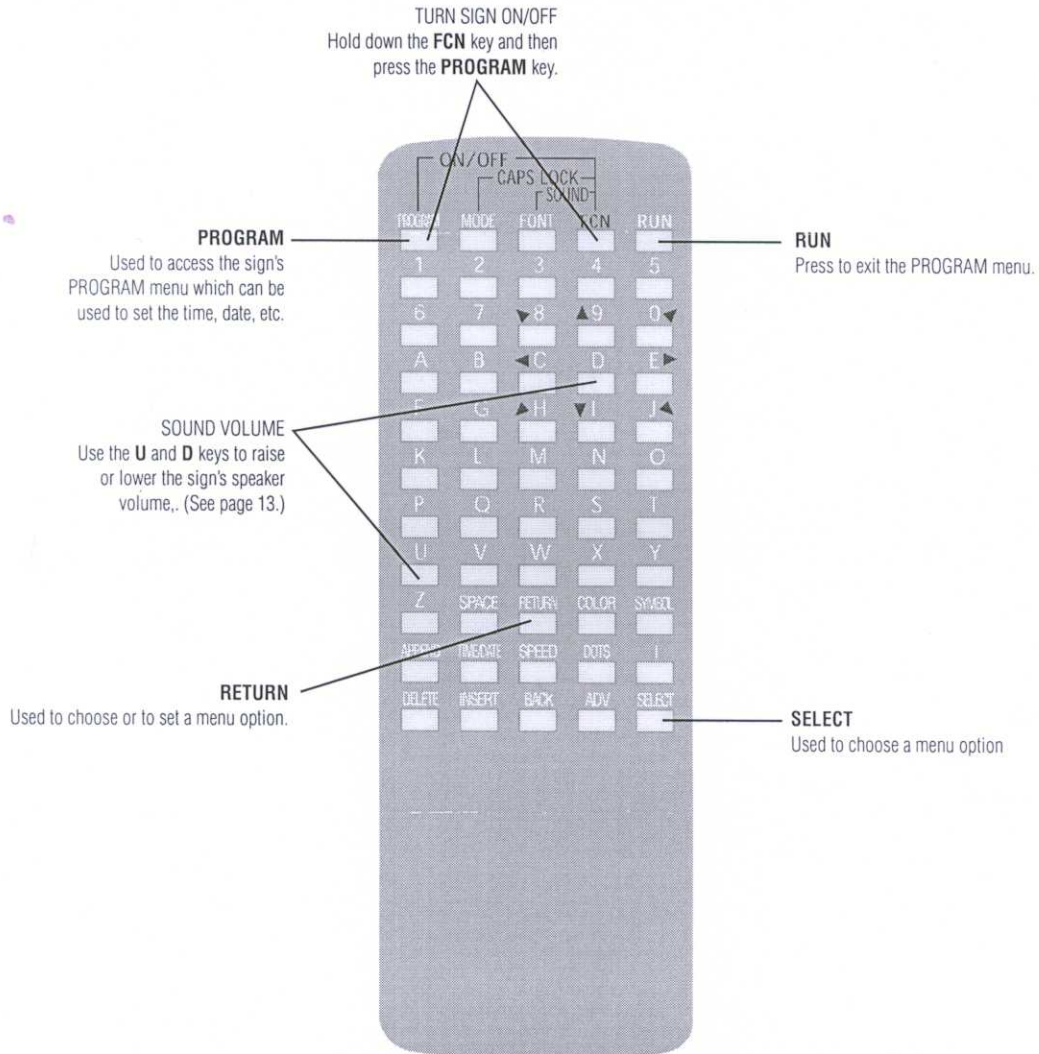
NOTE: To turn on a continuous repeated tone for volume adjustment, use the IR remote control to go through functions as described in “Using the IR remote control” on page 11. When you get to *Volume*, you’ll be able to hear the speaker volume increase and decrease as the adjustable dial is rotated. However, this is a *temporary* setting only.



Using the IR remote control

The IR remote control is used to set up and test an AlphaPremiere™ sign. However, messages cannot be programmed into an AlphaPremiere™ sign using the remote control.

Most of the keys on the IR remote control are not usable with an AlphaPremiere™ sign. The illustration below shows the remote control keys that can be used:



Setting sound volume

When you press this . . .	You'll see this on the sign . . .
PROGRAM key	PROGRAM
SELECT key	TURN OFF
SELECT key	RUN DEMO/TIME
SELECT key	SET TIME
SELECT key	SET DATE
SELECT key	CLEAR MEMORY
SELECT key	TEST MENU
RETURN key	WATCHDOG
SELECT key This is for diagnostics only. Do not use this setting.	DIP
SELECT key	VOLUME
Press the U key to turn volume up. Press the D key to turn volume down. The "00" shown here changes accordingly. NOTE: This is a <i>temporary</i> setting only. It can be used as described in "Speaker volume control" on page 9.	VOLUME = 00
SELECT key	TEST MENU
RUN key	The sign will display the messages that are programmed in it.